

GSM Kit

Alarm Messenger Unit



- **Automatic transmission of a short message (SMS) in case of alarm**
- **Unlimited and freely selectable receiver numbers**
- **Maximum security at any time (GSM reception assumed)**
- **Easy integration into Böning Ship Alarm System**

The GSM Kit is an additional alarming system, including a quad band GSM modem and a suitable mobile telephone antenna. The system transmits clear text status information to a mobile phone number at arising of an alarm in order to inform a captain, skipper or owner about the incident. It is connected via serial line to a Panel PC (for example AHD 1215) or a AHD-DPU 9 of the Böning alarm system.

The data transmission of the information is performed by short message service (SMS). All kind of standard mobile telephones are supported. A special application (App) on the mobile telephone is not required. Sending of SMS can individually be activated or deactivated for each phone number.

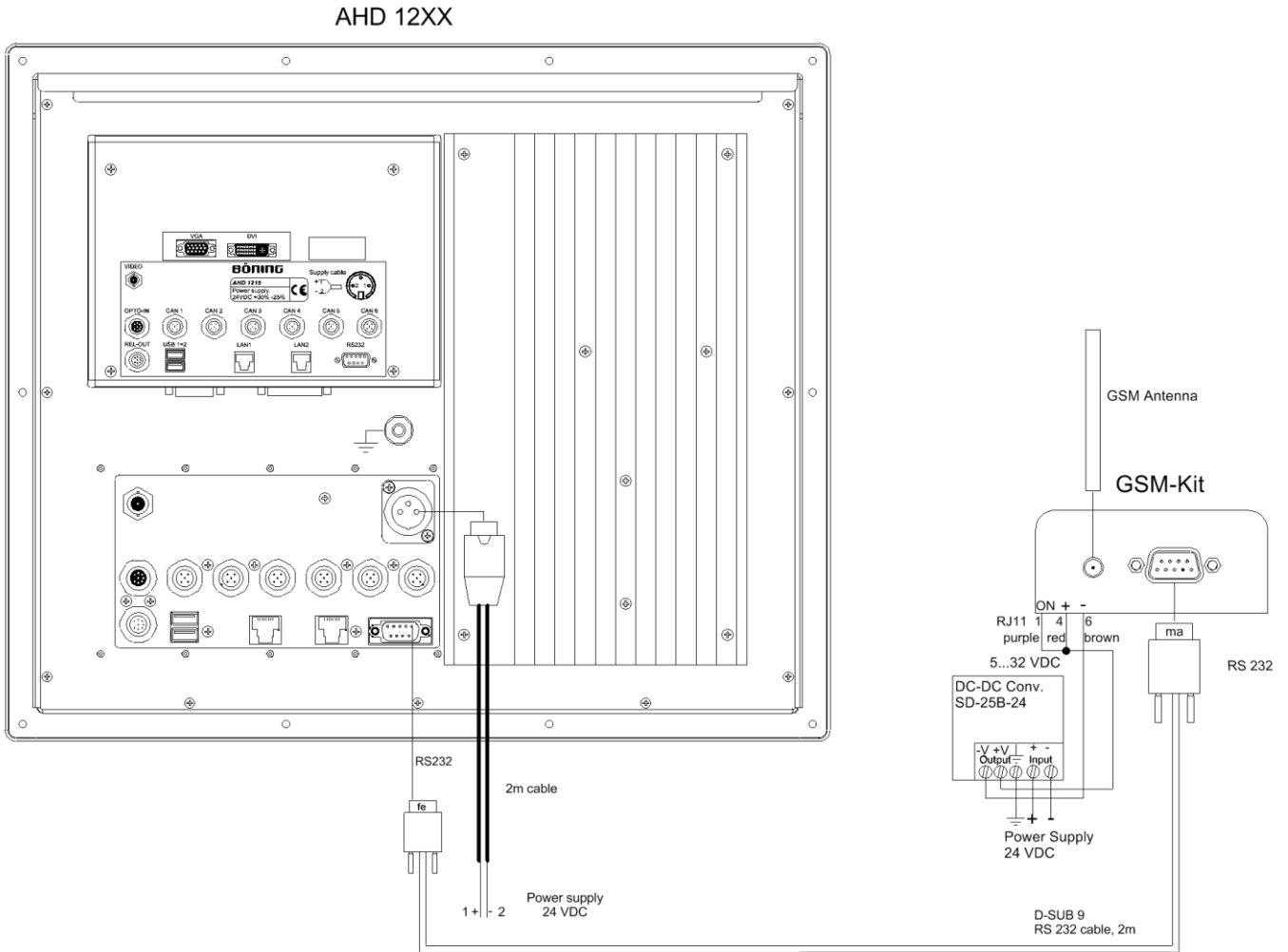
By this a maximum of security is achieved, when the ship is not under way or only watch keepers are aboard (GSM reception assumed).

Before using the system the operator has to set the alarms that should be reported, as well as the telephone number and the PIN of the SIM card.

The configuration of the system is performed with the configuration software DeviceConfig. Setting of phone numbers as well as setting of the required PIN can be performed comfortably over the visualization of the Panel PCs.

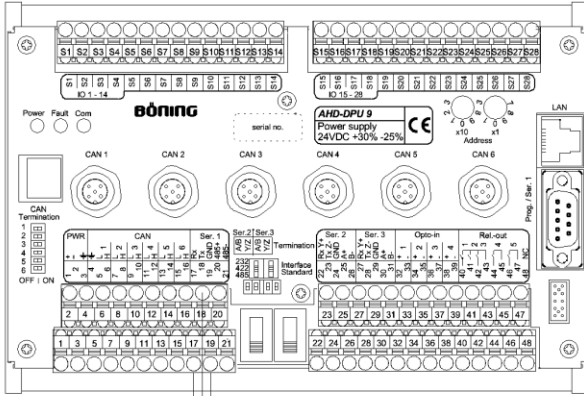
Depending on customer demand, the system is activated or deactivated by an external switch or by a button integrated into the visualization.

Connection GSM-Kit to AHD 12XX

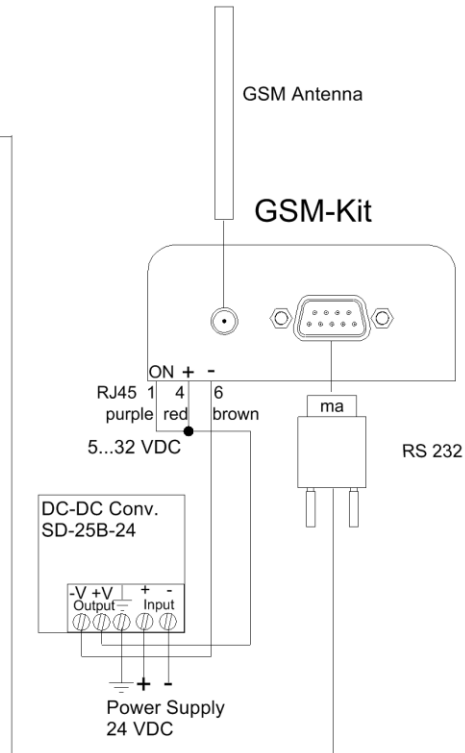


CAUTION: Please earth the device before switching on the power!
HINWEIS! Alle Geräte vor dem Einschalten erden!

Connection GSM Kit to AHD-DPU 9



AHD-DPU 9 PIN 17 = D-Sub 9 PIN 2
 AHD-DPU 9 PIN 18 = D-Sub 9 PIN 3
 AHD-DPU 9 PIN 19 = D-Sub 9 PIN 5



Technical data

GSM Modem

| | |
|-----------------------|---|
| Power supply: | 18...32 VDC |
| Power consumption: | ca. 1 mA |
| Ambient temperature: | -40°C...+80°C |
| Storage temperature: | -40°C...+85°C |
| Weight: | ca. 0,1 kg |
| Degree of protection: | IP 20 |
| Dimensions B x H x T: | 77 mm x 67 mm x 26 mm |
| Inputs: | RS232 interface with AT-control commands USB 2.0 over Mini-USB |
| Outputs: | External GSM antenna FME 50 Ohm (included) |
| Installation: | Console, panel or switchbox installation |
| Frequency range: | GSM Quad band 850/900/1800/1900 MHz |

Additional accessories

(included)

Antenna with cable 5m

Serial straight cable DSUB 9, 2m

Connecting cable for power supply

DC-DC converter 24VDC / 1.1 A

NOTE:

The SIM card is not included; it must be provided by the customer.